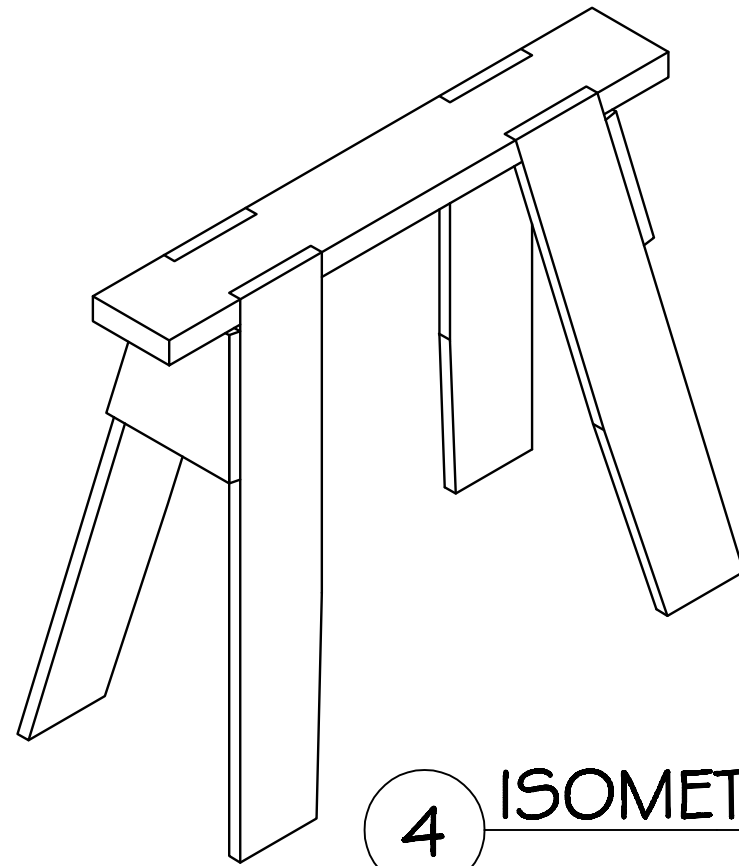


1 PLAN



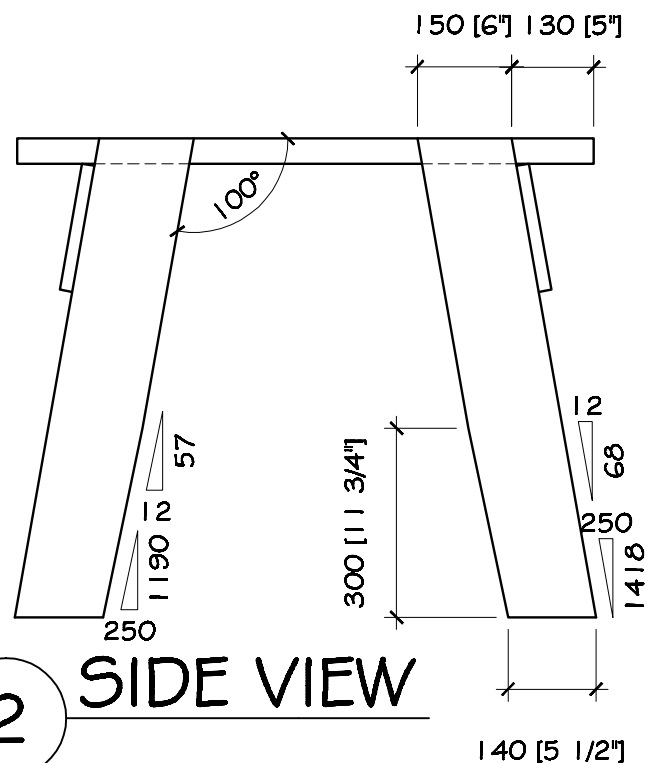
4 ISOMETRIC

**MATERIALS**

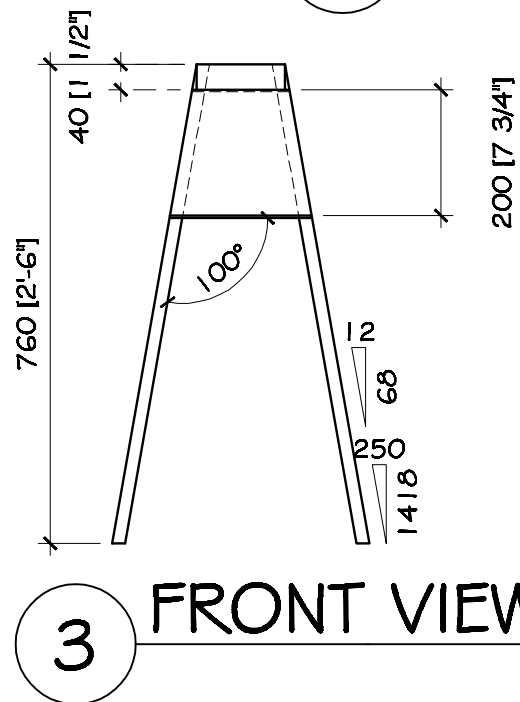
- 1 BOARD 2x6x36" (40x140x915mm)
- 1/2 SHEET OF 3/4" (20mm) PLYWOOD
- WOOD GLUE
- SCREWS

**TOOLS**

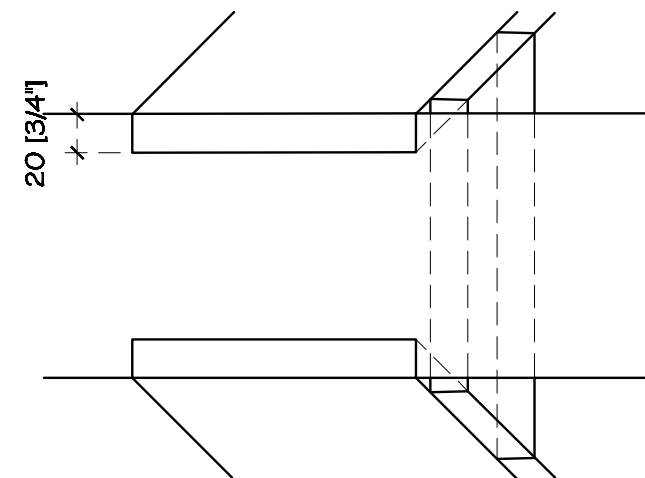
- SAW
- MEASURING TAPE
- FRAMING SQUARE
- HAMMER
- CARPENTERS PENCIL
- STRAIGHT EDGE



2 SIDE VIEW



3 FRONT VIEW



5 DETAIL  
3" = 1'-0"

PROJECT TITLE  
SKILLS BC  
SECONDARY  
REGIONAL

DRAWING TITLE

SAWHORSE  
PLANS

DATE: 1/8/2007  
SCALE: 1" = 1'-0"  
DRAWN BY: JHU  
CHECKED BY:  
PROJ. NO.:

DRAWING NO.: A-1